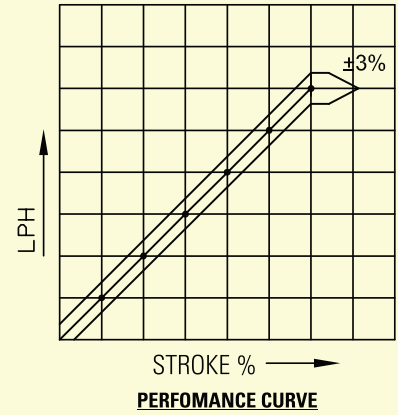




## Model: VMD-01 Mechanically Actuated Diaphragm Type Dosing Pumps



### SELECTION CHART

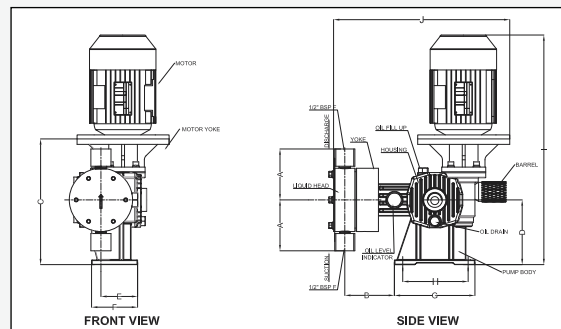
PUMP SPEED : 100 SPM/RATIO 15:1				DIAPHRAM DIA	MODEL	MAX PRESS Kg/cm <sup>2</sup>	PUMP SPEED : 200 SPM/RATIO 8:1			
POWER IN HP	% OF MAX PRESSURE POWER	SUCTION & DISCHARGE CONNECTION	CAP LPH				CAP LPH	SUCTION & DISCHARGE CONNECTION	% OF MAX PRESSURE POWER	POWER IN HP
0.5	ALL	15 NB	20	100	VMD - 01	14	40	15 NB	ALL	0.5
		15 NB	30	100		12	60	15 NB		
		15 NB	40	100		10	80	15 NB		
		15 NB	50	100		8	100	15 NB		
		15 NB	60	136		6	120	15 NB		
		15 NB	70	136		4	140	15 NB		
		15 NB	80	136		2	150	15 NB		
		15 NB	100	136		1	200	15 NB		

### MOC CHART

Sr. No.	Description	MOC	Sr. No.	Description	MOC
01	LIQUID HEAD	SS304, SS316, HASTALLOY, ALLOY20, P.P, PVC, PTFE	03	DIAPHRAM	PTFE
02	NON RETURN	SS304, SS316, HASTALLOY, ALLOY20, P.P, PVC, PTFE	04	NRV BALLS	SS,PTFE, GLASS, CERAMIC

### FEATURE

- Light Weight and compact size
- Flow variation possible
- Chemical compatible MOC
- Zero leakage Metering Pump
- Poly Tetra Fluoro Ethylene diaphragm for longer life
- Optimum power consumption
- High Metering Accuracy
- Economical Dosing solution



### DIMENSIONS IN MM

A	B	C	D	E	F	G	H	I	J
88.5	84	218.5	112.5	63.7	80	140	104	426.5	310

**WEIGHT (App) : 18 Kg**

**PACKING SIZE : 8.5 x 14 x 18 Inches**